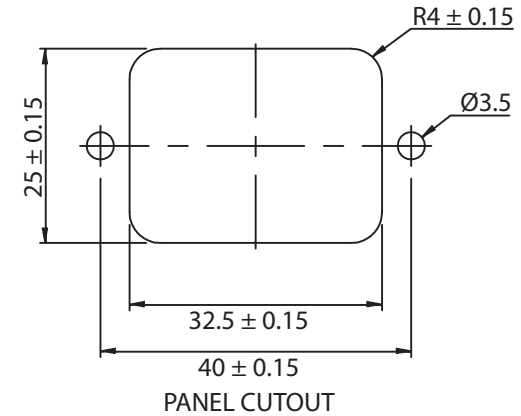
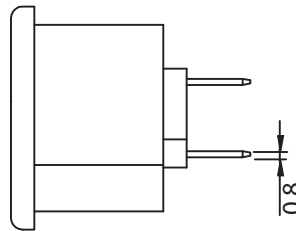
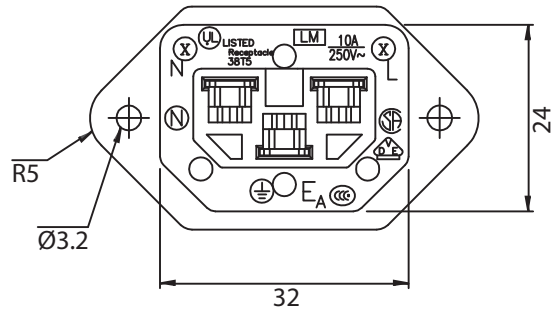
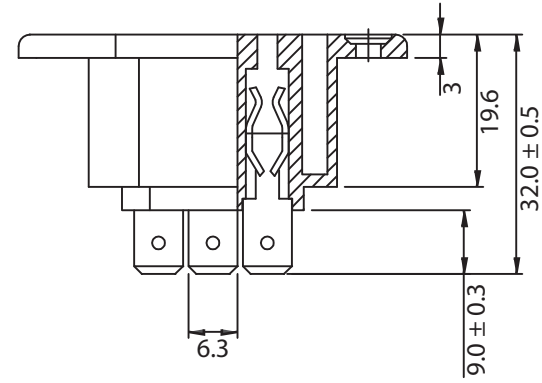
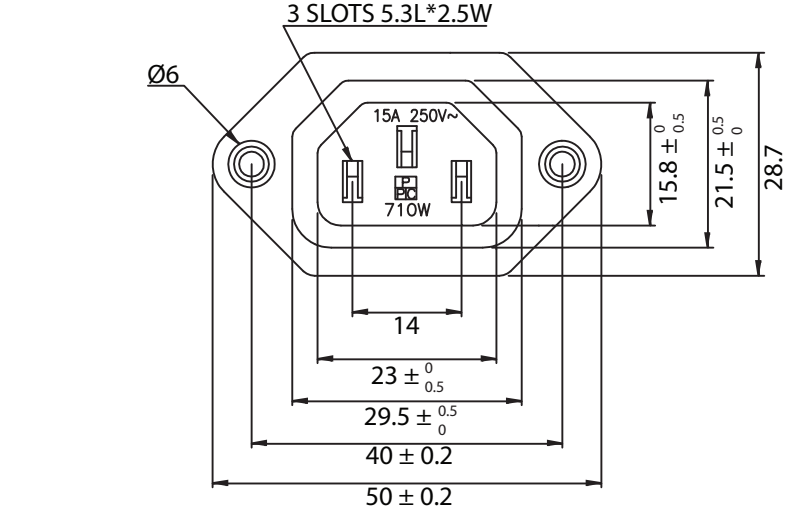


THESE DRAWINGS ARE THE PROPERTY OF QUALTEK ELECTRONICS AND NOT TO BE REPRODUCED FOR OR COMMUNICATED TO A THIRD PARTY WITHOUT THE EXPRESS WRITTEN PERMISSION OF AN OFFICER OF QUALTEK ELECTRONICS.

REVISION			
REV.	DESCRIPTION	DATE	APPROVED
B	RoHS Compliancy	06-01-06	DP
C	Updated Specifications	12-06-10	LY
D	Updated Notes	05-16-12	LY



CONTROLLED

NOTES:

RATING:

UL, CSA: 15A 250V AC
VDE, CCC: 10A 250V AC

APPROVALS: UL, CSA, VDE, CCC

COLOR: BLACK

RoHS COMPLIANT

Dim range (mm)		Tolerance +/- (mm)	Qualtek Electronics Corp. PPC DIVISION		
0-1		0.15	Part Number: 710W-00/03 RoHS Compliant		
1-6		0.20	Description: AC RECEPTACLE		
6-18		0.30			
18-50		0.50	UNIT: mm		REV. D
50-120		0.70	Drawn / Date	Checked / Date	Approved / Date
120-250		0.90	B.ZHANG 03-01-04	03-01-04	JJH / 03-01-04
250-500		1.20			